



FLOW METERING EQUIPMENT

V-Brass Series Venturi Flow Meter 1/2" to 2"

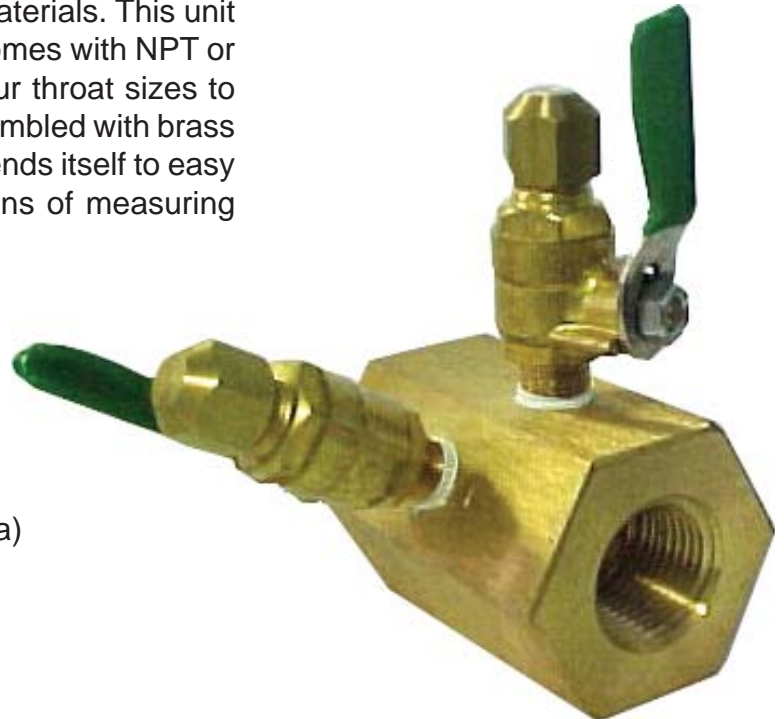
Model V-Brass Series is a Venturi style flow meter of the "Low Pressure Loss" design. It is machined according to exacting specifications using high quality materials. This unit is produced from solid brass hex bar and comes with NPT or sweat ends. The V-Brass is available in four throat sizes to cover a wide range of applications. It is assembled with brass ball valves for instrumentation control and lends itself to easy installation to provide a cost effective means of measuring flow in commercial applications.

Features

- Solid Hex Bar (ASTM B16)
- 1/8" MNPT x 1/4" SAE Brass Ball
- NPT or Sweat Ends
- Polycarbonate ID Tag
- Maximum Temperature 250 °F (120 °C)
- Maximum Pressure 400 PSIG (2756 kPa)

Options

- Quick Disconnect Fittings
- Pressure & Temperature Plugs
- Pressure Port Extensions
- Stainless Steel ID Tag



MODEL SELECTOR: PVBR□□□□□□

PIPE SIZE

- A - 1/2"
- B - 3/4"
- C - 1"
- D - 1-1/4"
- E - 1-1/2"
- F - 2"

SCHEDULE

- A - STD
- B - 80
- C - COPPER L

PROCESS CONNECTION

- A - FNPT
- B - SOCKET/SWEAT

INSTRUMENT CONNECTION

- A - NPT - 1/8"

BOLD = Standard

BETA

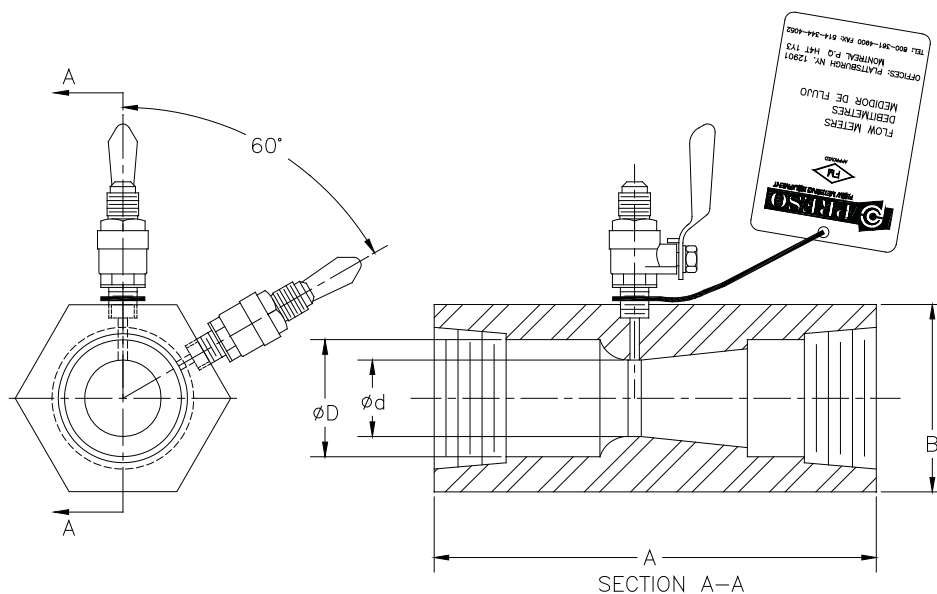
- 1 - (-10) LOW FLOW
- 2 - (-20) MED/LOW FLOW
- 3 - (-38) NORMAL FLOW
- 4 - (-65) HIGH FLOW

INSTRUMENT VALVE

- A - BRASS BALL VALVE - 1/4" SAE
- B - BRASS BALL VALVE - 1/4" SAE w/QUICK CONNECT
- C - PRESSURE & TEMP PLUGS
- D - BRASS BALL VALVE - 1/4" SAE w/EXTENSTIONS
- E - QUICK CONNECT w/EXTENSIONS
- F - PRESSURE & TEMP PLUGS w/EXTENSIONS

SPECIFICATIONS AND SUBMITTAL DATA

SIZE THROAT	MODEL	Ød inch (mm)	ØD inch (mm)	BETA	A inch (mm)	B inch (mm)	APP. WEIGHT lbs (kg)
1/2" -10	PVBRAXXA1X	0.228 (5.79)	0.622 (15.80)	0.367 (9.32)	3.25 (82.55)	1.50 (38.10)	1.8 (0.82)
1/2" -20	PVBRAXXA2X	0.307 (7.80)	0.622 (15.80)	0.494 (12.55)	3.00 (76.20)	1.50 (38.10)	1.6 (0.73)
1/2" -38	PVBRAXXA3X	0.375 (9.53)	0.622 (15.80)	0.603 (15.32)	2.75 (69.85)	1.50 (38.10)	1.5 (0.68)
1/2" -65	PVBRAXXA4X	0.500 (12.70)	0.622 (15.80)	0.804 (20.42)	2.25 (57.15)	1.50 (38.10)	1.1 (0.50)
3/4" -10	PVBRBXXA1X	0.313 (7.95)	0.824 (20.93)	0.380 (9.65)	4.00 (101.60)	1.75 (44.45)	2.9 (1.32)
3/4" -20	PVBRBXXA2X	0.407 (10.34)	0.824 (20.93)	0.494 (12.55)	3.75 (95.25)	1.75 (44.45)	2.7 (1.22)
3/4" -38	PVBRBXXA3X	0.438 (11.13)	0.824 (20.93)	0.532 (13.51)	3.50 (88.90)	1.75 (44.45)	2.5 (1.13)
3/4" -65	PVBRBXXA4X	0.625 (15.88)	0.824 (20.93)	0.759 (19.28)	2.75 (69.85)	1.75 (44.45)	1.8 (0.82)
1" -10	PVBRCXXA1X	0.375 (9.53)	1.049 (26.64)	0.358 (9.09)	4.88 (123.95)	2.00 (50.80)	4.6 (2.09)
1" -20	PVBRCXXA2X	0.500 (12.70)	1.049 (26.64)	0.477 (12.12)	4.88 (123.95)	2.00 (50.80)	4.5 (2.04)
1" -38	PVBRCXXA3X	0.625 (15.88)	1.049 (26.64)	0.596 (15.14)	3.88 (98.55)	2.00 (50.80)	3.4 (1.54)
1" -65	PVBRCXXA4X	0.859 (21.82)	1.049 (26.64)	0.819 (20.80)	3.00 (76.20)	2.00 (50.80)	2.4 (1.09)
1-1/4" -10	PVBRDXXA1X	0.500 (12.70)	1.380 (35.05)	0.362 (9.19)	6.13 (155.70)	2.25 (57.15)	7.2 (3.27)
1-1/4" -20	PVBRDXXA2X	0.688 (17.48)	1.380 (35.05)	0.499 (12.67)	5.13 (130.30)	2.25 (57.15)	5.8 (2.63)
1-1/4" -38	PVBRDXXA3X	0.875 (22.23)	1.380 (35.05)	0.634 (16.10)	4.50 (114.30)	2.25 (57.15)	4.7 (2.13)
1-1/4" -65	PVBRDXXA4X	1.125 (28.58)	1.380 (35.05)	0.815 (20.70)	3.50 (88.90)	2.25 (57.15)	3.2 (1.45)
1-1/2" -10	PVBREXXA1X	0.625 (15.88)	1.610 (40.89)	0.388 (9.86)	6.13 (155.70)	2.50 (63.50)	8.8 (3.99)
1-1/2" -20	PVBREXXA2X	0.799 (20.29)	1.610 (40.89)	0.496 (12.60)	6.13 (155.70)	2.50 (63.50)	8.4 (3.81)
1-1/2" -38	PVBREXXA3X	1.000 (25.40)	1.610 (40.89)	0.621 (15.77)	5.00 (127.00)	2.50 (63.50)	6.4 (2.90)
1-1/2" -65	PVBREXXA4X	1.313 (33.35)	1.610 (40.89)	0.816 (20.73)	3.88 (98.55)	2.50 (63.50)	4.3 (1.95)
2" -10	PVBRFXXA1X	0.750 (19.05)	2.067 (52.50)	0.363 (9.22)	7.88 (200.15)	3.00 (76.20)	16.2 (7.35)
2" -20	PVBRFXXA2X	1.021 (25.93)	2.067 (52.50)	0.494 (12.55)	7.63 (193.80)	3.00 (76.20)	14.8 (6.71)
2" -38	PVBRFXXA3X	1.375 (34.93)	2.067 (52.50)	0.665 (16.89)	5.38 (136.65)	3.00 (76.20)	9.3 (4.22)
2" -65	PVBRFXXA4X	1.688 (42.88)	2.067 (52.50)	0.817 (20.75)	4.25 (107.95)	3.00 (76.20)	6.4 (2.90)



8635 Washington Avenue
 Racine, WI 53406-3738 USA
 www.preso.com

Tel: 800-632-7337 or 262-639-6770
 Fax: 262-417-1148
 E-mail: info@preso.com