



Aseptic research control valve series

Type SCV-09



Features

- Designed in accordance with ASME BPE-2005
- Manufactured in accordance with the 3A symbol council
- ANSI/FCI 70-2 class VI shut-off rating
- Heavy duty Tri-Clamp® body/bonnet connection
- Compact size
- Electro-polished internal surfaces
- Self-draining body
- Designed for Clean-In-Place (CIP) and Sanitize-In-Place (SIP) processes
- 2x 1/8" NPT connections for venting, purging and sterilization
- USP 24 class VI elastomers
- Wetted surfaces (optional)

Description

The series SCV-09 aseptic control valves are compact, modulating diaphragm style valves designed to meet the manufacturing standards established by the 3A symbol council. The innervalves are designed to accommodate a wide spectrum of low medium flow rates.

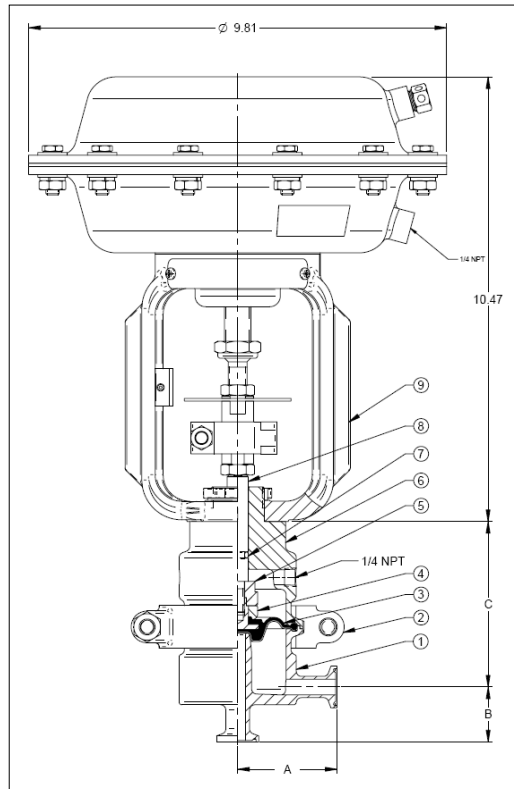
Applications

The series SCV-09 is best suited for the biotechnology, pharmaceutical and food processing industries. The self draining, isolated seal design allows the valve to be used in applications where quick assembly and disassembly for sanitation purposes are required. Applications include liquid and gas side of bioreactors.

Technical data

Sizes	1/2", 3/4" and 1" body
Body style	Angle
Connections	Tri-Clamp® / 2x 1/8" NPT
Design pressure	18 bar (275 PSIG)
Max. operating pressure	10 bar (150 PSIG)
Max. temperature	145°C (300F)
Internal body finish	≤ 15 RA μ-inch
Characteristic	Modified linear
Cvs	3 - 11,5
Body bonnet	316L S/S
Diaphragm	Nomex reinforced, Teflon® coated EPDM backing with 304 SS insert
O-ring, stem	EPDM
Piston stem	316L S/S
Drive stem	316L S/S
Clamps	304 S/S or 316L S/S
Drive nut	316L S/S
Jam nut	304 S/S
Actuator housing	Cast aluminum*
Actuator yoke	Cast aluminum*
Actuator housing hardware	Cast aluminum*

*316L stainless steel actuator optional



Item	Description		
1	Body		
2	Clamp		
3	Diaphragm		
4	Retainer		
5	Lock nut		
6	Bonnet		
7	O-ring		
8	Stem		
9	Actuator		
Dimensions			
	1/2"	3/4"	1"
A	2.33	2.61	2.70
B	1.29	1.65	1.90
C	3.90	4.03	4.51
Innervolve chart	Cvs	Travel (mm)	
1/2"	3.0	3.9	
3/4"	6.3	7.1	
1"	11.5	7.9	

Actuator features

- Fully adjustable preloads
- Low hysteresis
- Multi-spring, field reversible actuators
- Rolling diaphragm for reduced dead-band and permits direct operation from signal devices

Actuator choices

Standard	Air-to-open, fail close Air-to-close, fail open
Optional	ATO or ATC with side mounted positioner
Signal range	0,2 to 1 bar (optional with positioner)
Electric actuator	110 VAC power, 4-20 mA control range
Accessories	Solenoids Limit switches Gauges I/P converters Filters Regulators
Accessory mounting	IEC 536 NAMUR

Flow characteristic

