



## Sanitary control valve Type SC 500 / USA-Type 89



### Features

- Control valve in size 1" and 1,5"
- Angle cast body
- Maximum allowable pressure 20 bar
- Suitable for control of medium and low flow
- Integral seat, internal surfaces polished, O-ring or rolling diaphragm sealing

### Applications

Suitable for control of liquids, gases or steam in biotechnology, pharmaceutical and food processes. Common uses are: pressure, temperature and flow control in fermentation reactors; control of gas blankets in closed vessels; and catalyst, defoamer and additive initiation.

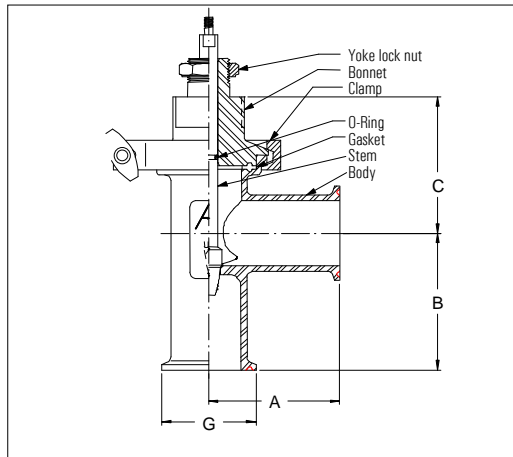
### Options

- Butt-weld ends
- Double O-ring sealing
- Positioners, i/p-converters, filter regulators, limit switches, solenoid valves, gauges.

### Materials

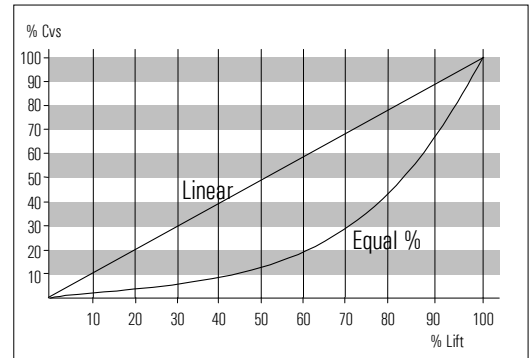
Body	CF-3M / 316L SST casting
Bonnet	316 SST
Plug and stem	316L SST
Gasket	Silicone
O-ring	Silicone or Viton
Rolling diaphragm	EPDM

### Innervalue characteristic



Size	A	B	C	G
1,5"	70	73	73	1,5"
1"	70	67	79	1"

### Dimensions



### Seat leakage

0.1% of Cvs

ANSI Class III

### Pressure-temperature rating

Temperature (°C)	Pressure (bar)
20	20
150	10

### Innervalue chart

Valve size	Innervalue	Port dia. (mm)	Port area (cm <sup>2</sup> )	Cvs	Rangeability	
					linear	= %
1,5"	20	25,4	5,06	20	40	60
1,5"	15	25,4	5,06	15	40	60
1" + 1,5"	10	19,05	2,85	10	40	60
1" + 1,5"	8	19,05	2,85	8,0	40	60
1" + 1,5"	6	19,05	2,85	6,0	40	60
1" + 1,5"	5	12,7	1,27	5,0	40	60
1" + 1,5"	4	12,7	1,27	4,0	40	60
1" + 1,5"	A	12,7	0,36	3,0	40	60
1" + 1,5"	B	6,77	0,36	2,0	40	60
1" + 1,5"	C	6,77	0,36	1,25	40	60
1" + 1,5"	D	6,77	0,36	0,80	40	60
1" + 1,5"	E	6,77	0,36	0,50	40	60
1" + 1,5"	F	3,96	0,123	0,32	30	40
1" + 1,5"	G	3,96	0,123	0,20	30	40
1" + 1,5"	H	3,96	0,123	0,13	30	40
1" + 1,5"	I	3,96	0,123	0,08	30	40
1" + 1,5"	J	3,96	0,123	0,05	30	40