



Cryogenic control valve Type OR960



Features

- Control valve in size 1", 1,5" and 2"
- Globe cast body
- Maximum allowable pressure 50 bar
- Suitable for control of medium flow at low temperatures down to -270°C

Applications

Suitable for control of liquids, gases or steam, in industrial applications. For any kind of precise control.

Options

- Body with flanges
- PTFE PFA soft seating
- Seat leakage Class 5 or 6
- Double packing
- Double packing with Purge Port
- Positioners, i/p-converters, filter regulators, limit switches, solenoid valves, gauges

Valve materials

Body	Bonnet
316 SS casting	316 SS

Innervalue materials

Plug	Seat
316 SS	316 SS
316 SS stellite ⁽¹⁾	316 SS stellite ⁽¹⁾

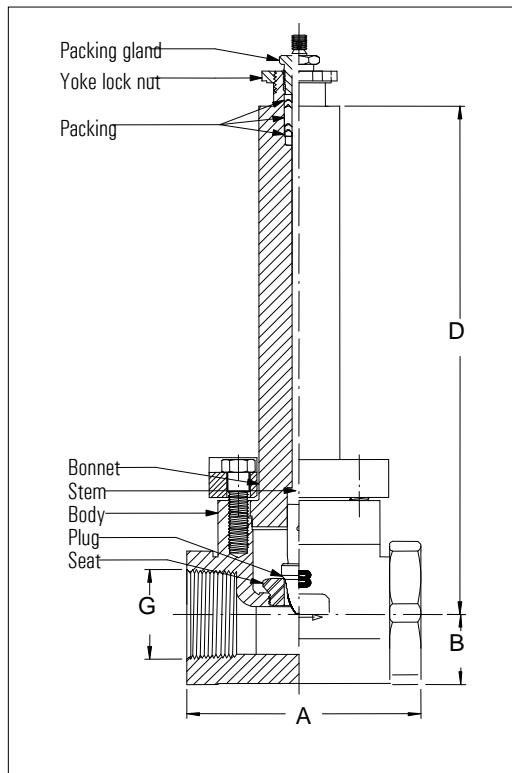
Gasket: Grafoil

Packing: PTFE- CV-rings, REK, Graphite

⁽¹⁾ Stellite® is a registered trademark of Deloro Stellite Holdings Corporation.



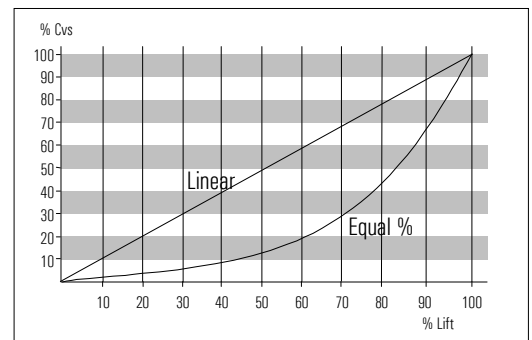
Dimensions



G	A	B	C*
2"	124	45	254
1,5"	115	38	254
1"	102	25,4	254

Dimension "C" optional 356 mm or 458 mm

Innervelve characteristic



Seat leakage

0.01% of Cvs

ANSI Class IV

Pressure-temperature rating

Temperature (°C)	Pressure (bar)
-270 to 20	50
100	42
200	36
300	32
400	29
500	31

Notes

Below -29°C and above +260°C use optional 316 SS bonnet studs; consider Stellite[®] above 316°C.

Innervelve chart

Valve size	Port dia. (mm)	Port area (cm ²)	Cvs (linear)	Cvs (= %)	Maximum allowable pressure drop (bar)		FL
					Shut Off Δp	Operation Δp	
2"	38,1	11,4	25	20	20	10	0,85
2"	28,6	6,44	21	17	38	19	0,86
2"	20,6	3,35	17	15	50	37	0,88
2"	15,9	2	8,5	8,5	50	41	0,9
1,5"	28,6	6,44	15	14	31	15,5	0,85
1,5"	20,6	3,35	11	10	50	37	0,87
1,5"	15,9	2	7	6,5	50	41	0,9
1,5"	15,9	2	4	4,0	50	41	0,92
1"	20,6	3,35	8,3	7,0	50	37	0,85
1"	12,7	1,29	5,3	4,5	50	45,5	0,87
1"	12,7	1,29	2,0	2,0	50	45,5	0,89
1"	12,7	1,29	1,0	1,0	50	45,5	0,91
1"	3,96	0,13	0,5	0,5	50	50	0,93
1"	3,96	0,13	0,2	0,2	50	50	0,94
1"	3,96	0,13	0,1	0,1	50	50	0,95
1"	3,96	0,13	0,05	0,05	50	50	0,96
1"	3,96	0,13	0,02	-	50	50	0,97

Integral seat Rangeability: Linear 50:1, Equal percent: 60:1

⁽¹⁾ Stellite[®] is a registered trademark of Deloro Stellite Holdings Corporation.