



Bronze control valve

Type OR800 / USA-Type 9100



Features

- Control valve in size 3/4", 1", 1,25", 1,5" and 2"
- Globe cast body
- Maximum allowable pressure 20 bar
- Suitable for control of medium and high flow
- Equal percent characteristic

Applications

Suitable for control of liquids, gases or steam, in industrial applications. Large Cv-values relating to the valve size.

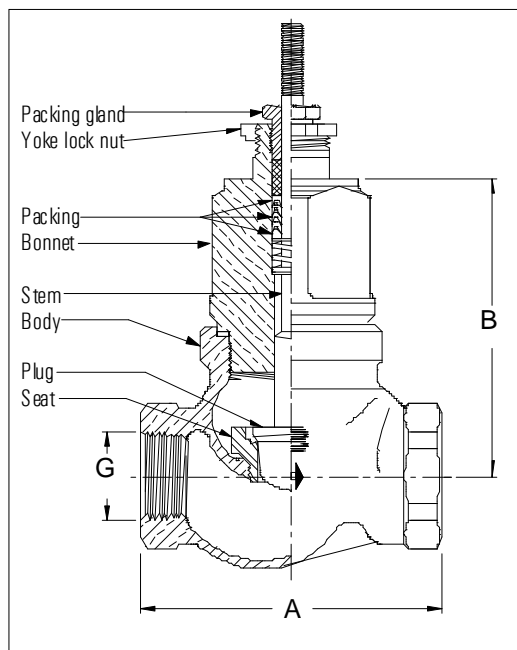
Options

- Reduced CV 's
- Linear Characteristic or On-Off
- Double Packing, REK fugitive emission packing
- Double Packing with Purge Port
- Positioners, i/p-converters, filter regulators
limit switches, solenoid valves, gauges
- Extended bonnet for cryogenic applications

Valve materials

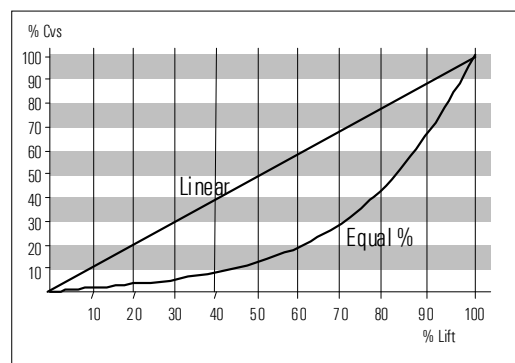
Body and bonnet	Bronze B 62
Innervalue	316L SS (Stainless Steel)
Body gasket	Copper
Packing	PTFE-„V“ rings, Live Loaded optional Grafoil
Spring	321 SS (Stainless Steel)
Packing Follower	PTFE-PFA, optional Bronze or Grafoil

Dimensions



G	A	B
2"	179	56
1,5"	159	50
1,25"	159	50
1"	115	36
3/4"	115	36

Innervel characteristic



Seat leakage

0,01% of CVS

ANSI Class IV

Pressure-temperature rating

Temperature (°C)	Pressure (bar)
-29 to + 66	20
93	18
121	16
149	14
177	12
207	10

Innervel chart

Valve size	Port dia. (mm)	Port area (cm ²)	Cvs (= %)	Maximum allowable pressure drop (bar)	
				Shut Off Δp	Operation Δp
2"	50,8	20,3	54	6,2	3,1
2"	44,5	15,5	36	6,2	3,1
2"	44,5	15,5	22	7,9	3,95
1,5"	41,3	13,4	35	9,3	4,65
1,5"	31,8	7,9	24	9,3	4,65
1,5"	31,8	7,9	14	15,5	7,75
1,25"	41,3	13,4	29	9,3	4,65
1,25"	31,8	7,9	20	15,5	7,75
1,25"	31,8	7,9	12	15,5	7,75
1"	25,4	5,1	15	20	10
1"	19	2,8	10	20	10
1"	19	2,8	6,0	20	10
1"	12,7	1,27	3,0	20	10
0,75"	25,4	5,1	12	20	10
0,75"	19	2,8	8,0	20	10
0,75"	19	2,8	6,0	20	10
0,75"	12,7	1,27	3,0	20	10