



Badger Meter Europa

Cryogenic control valve RC260 USA-Type 884

DESCRIPTION

- Control valve in sizes 1", 3/4", 1/2" and 1/4".
- Globe cast body.
- Maximum allowable pressure 172 bar.
- Suitable for control of medium and low flow.
- Many variations not listed here.

APPLICATIONS

Suitable for control of liquids, gases or steam, in industrial applications, research, and process pilot plants. Specifically for control of media at $T \leq -50 \text{ }^\circ\text{C}$.

INNERVALVE CHART

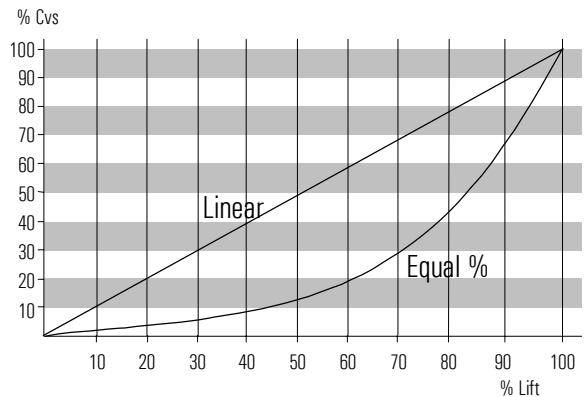
NW	Size	Cvs	NW	Size	Cvs
	V	6,0		O	0,003
	U	5,0		P1	2,0 E-03
	T	4,5		P2	1,3 E-03
	S	4,0		P3	1,0 E-03
	R	3,5		P4	6,0 E-04
	A	2,5		P5	4,0 E-04
	B	2,0		P6	2,7 E-04
	C	1,25		P7	1,8 E-04
	D	0,80		P8	1,2 E-04
	E	0,50		P9	8,0 E-05
	F	0,32		P10	5,0 E-05
	G	0,20		P11	3,6 E-05
	H	0,13		P12	2,4 E-05
	I	0,08		P13	1,6 E-05
	J	0,05		P14	1,0 E-05
	K	0,03		P15	6,0 E-06
	L	0,02		P16	4,0 E-06
	M	0,01		P17	2,7 E-06
	N	0,006		P18	1,8 E-06

Size 1" 3/4" 1/2" 1/4"

For detailed information, see [Data Sheet TRM](#)

You can find help for selection of innervalue, material combinations, guiding, bonnet and actuator in the "instruction for valve selection" and the Data Sheets TRM, resp. AC.

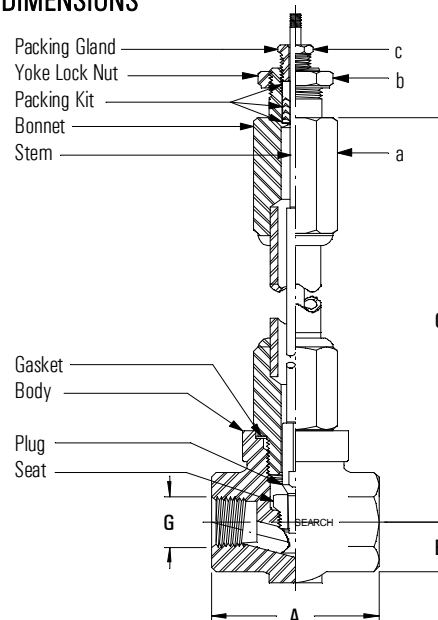
INNERVALVE CHARACTERISTIC



SEAT LEAKAGE

0.01% of Cvs for "O" and larger ANSI Class IV
 0.1% of Cvs for "P1" and smaller ANSI Class III
 Optional: Metallic or soft seated (PTFE or Kel-F).

DIMENSIONS



G	A	B	C	a	b	c	Lift
1"NPT	102	38	356	1-3/4"	1-1/8"	1/2"	14,3
3/4"NPT	86	30	356	1-1/2"	1-1/8"	1/2"	14,3
1/2"NPT	70	25	356	1-1/4"	1-1/8"	1/2"	14,3
1/4"NPT	54	17	356	7/8"	7/8"	7/16"	11.1

RCV_RC260_Datenblatt_0807_e.doc 08/07

Badger Meter Europa GmbH - Nürtinger Strasse 76 - 72639 Neuffen (Germany)

Tel. +49-7025-9208-0 Fax +49-7025-9208-15 www.badgermeter.de E-mail:badger@badgermeter.de

GUIDING

Standard as in picture 1.

BONNET

Standard as in picture 1. Other types available are for example:

Bellows sealed bonnet [Data Sheet BLW](#)

PACKING

Standard are PTFE chevron rings

For other type, see [Data Sheet PCK](#)

PNEUMATIC ACTUATOR

Die cast Aluminium with Epoxy paint, optional 316L S/S (Stainless Steel) but only for 1/2" valves.

Standard actuator "Spring to close" [Data Sheet AC-OS](#)

Standard actuator "Spring to open" [Data Sheet AC-CS](#)

With integrated pneumatic positioner:

Standard actuator "Spring to close" [Data Sheet AC-OP](#)

Standard actuator "Spring to open" [Data Sheet AC-CP](#)

Various accessories on request.

ELECTRIC ACTUATOR

Various special types available: explosion proof, Safety position " Spring to open " or " Spring to close ".

Electric [Data Sheet AC-HH500](#) [AC-M60WE](#)

Electronic [Data Sheet AC-EVA1](#) [AC-MC60](#)

VALVE MATERIALS

BODY	BONNET
1.4581 steel casting	1.4571 barstock
1.4571 forged	1.4571 barstock
316 SS steel casting	316 SS barstock
Monel casting	Monel barstock
Alloy-20 steel casting	Alloy20 barstock
Alloy-B casting	Alloy-B barstock
Alloy-C casting	Alloy-C barstock

For other materials, see type RC250 .

INNERVALVE MATERIALS

Size	Valve Plug	Valve Seat
V - 0	316 SS	316 SS
V - P18	Stellite®	416 SS
V - P18	Stellite®	316 SS stellite
A - 0	Tantalum	Tantalum
V - P5	Monel	Monel
V - P9	Alloy-20	Alloy-20
V - P9	Alloy-B	Alloy-B
V - P13	Alloy-C276	Alloy-C276
V - P13	Additional Titanium nitride coating	

Other materials available on request. Up to now over 140 materials and materials combinations have been used.

(316 SS ~ 1.4571).

(*) Stellite® is a registered trademark of Deloro Stellite Holdings Corporation.

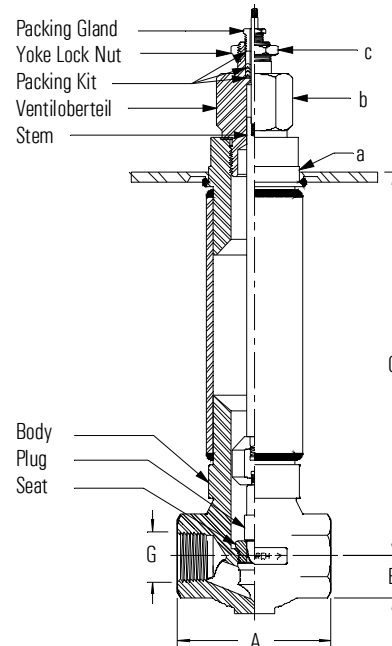
PRESSURE-TEMPERATURE RATING BODY

	°C	316 SS		°C	316 SS
1" CONTROL VALVE	-268	103	1/2" CONTROL VALVE	-268	172
	20	103		20	172
	100	103		100	163
	200	81		200	13
	300	46		300	119
	400	-		400	112
3/4" CONTROL VALVE	500	-	500	80	
	-268	103	1/4" CONTROL VALVE	-268	172
	20	103		20	172
	100	103		100	172
	200	81		200	144
	300	72		300	131
400	40	400		123	
500	-	500	60		

max. pressure in bar

The above pressure ratings alone are not sufficient to determine if a valve is suitable for an application.

COLD BOX VALVE



G	A	B	C	a	b	c	Hub
1"NPT	102	38	356	2-1/4"	1-1/8"	1/2"	14,3
1/2"NPT	70	25	356	1-1/2"	1-1/8"	1/2"	14,3

The innervalve is replaceable after installation of the valve in the cold box.