



Badger Meter Europa

3-way control valve RC230 USA-Type 564, 1118

DESCRIPTION

- Control valve in sizes 1", 3/4", 1/2" and 1/4".
- 3-Way valve 1/2" + 1/4" barstock body.
- 3-Way valve 1" + 3/4" Cast body with necked-down 3-port.
- Maximum allowable pressure 100 bar.
- Suitable for control of medium and low flow.
- Many variations not listed here.

APPLICATIONS

Suitable for control of liquids, gases or steam, in industrial applications, research, and process pilot plants. Its compact size makes it an ideal choice for additive injection, sampling, low flow hydraulic systems or wherever precise control is an important factor or physical constraints limit valve weight or size.

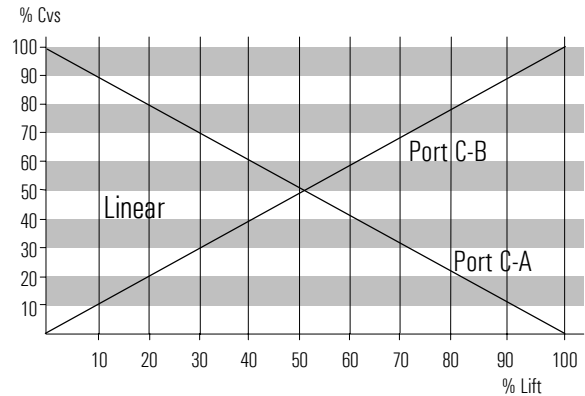
INNERVALVE CHART

NW	Size	Cvs	1"	3/4"	1/2"	1/4"
V	6,0		-	-	-	-
U	5,0		6	-	-	-
T	4,5		-	-	-	-
S	4,0		6	-	-	-
R	3,5		6	6	-	-
A	2,5		6	6	3	-
B	2,0		6	6	3	-
C	1,25		6	6	6	-
D	0,80		10	10	10	-
E	0,50		10	10	10	-
F	0,32		20	10	20	13
G	0,20		20	10	20	13
H	0,13		20	20	20	13
I	0,08		20	20	20	13
J	0,05		20	20	20	13
Max. pressure drop						

Size 1" 3/4" 1/2" 1/4"

For detailed information, see [Data Sheet TRM](#)

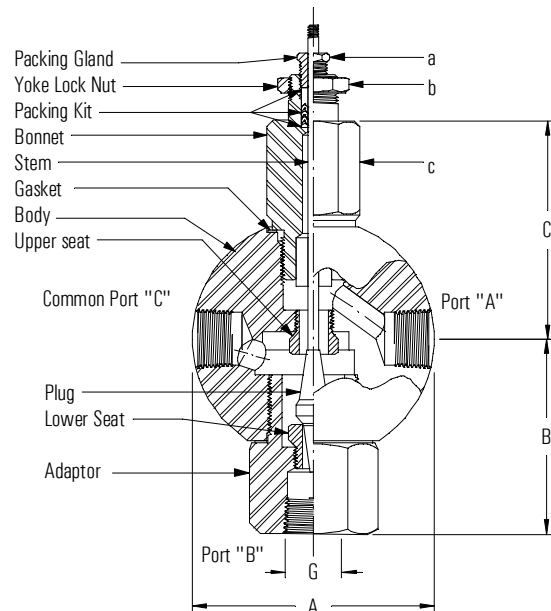
INNERVALVE CHARACTERISTIC



SEAT LEAKAGE

0.01% of Cvs for "O" and larger ANSI Class IV
 0.1% of Cvs for "P1" and smaller ANSI Class III
 Optional: Metallic or soft seated (PTFE or Kel-F).

DIMENSIONS



G	A	B	C	a	b	c	Lift
1"NPT	102	85	100	1-3/4"	1-1/8"	1/2"	14,3
3/4"NPT	86	75	99	1-1/2"	1-1/8"	1/2"	14,3
1/2"NPT	83	67	73	1-1/4"	1-1/8"	1/2"	14,3
1/4"NPT	70	51	54	7/8"	7/8"	7/16"	11.1

RCV_RC230_Datenblatt_0807_e.doc 08/07

Badger Meter Europa GmbH - Nürtinger Strasse 76 - 72639 Neuffen (Germany)

Tel. +49-7025-9208-0 Fax +49-7025-9208-15 www.badgermeter.de E-mail:badger@badgermeter.de

CONNECTIONS

Standard is NPT-internal thread.

For other types, see [Data Sheet CON](#)

GUIDING

Standard as in picture 1 or optional medium and heavy duty guiding [Data Sheet GDG](#)

BONNET

Standard as in picture 1. Other types available as for example:

Cooling fin bonnet [Data Sheet CFG](#)

Bellows sealed bonnet [Data Sheet BLW](#)

PACKING

Standard are PTFE chevron rings.

For other type, see [Data Sheet PCK](#)

PNEUMATIC ACTUATOR

Die cast Aluminium with Epoxy paint, optional 316L S/S (Stainless Steel) but only for 1/2" valves.

Standard actuator "Spring to close" [Data Sheet AC-OS](#)

Standard actuator "Spring to open" [Data Sheet AC-CS](#)

With integrated pneumatic positioner:

Standard actuator " Spring to close " [Data Sheet AC-OP](#)

Standard actuator " Spring to open " [Data Sheet AC-CP](#)

Various accessories on request.

ELECTRIC ACTUATOR

Various special types available: explosion proof,

Safety position " Spring to open " or " Spring to close ".

Electric [Data Sheet AC-HH500](#) [AC-M60WE](#)

Electronic [Data Sheet AC-EVA1](#) [AC-MC60](#)

VALVE MATERIALS

Body	Bonnet
316 SS barstock	316 SS barstock
Monel barstock	Monel barstock
Alloy-20 barstock	Alloy20 barstock
Alloy-B barstock	Alloy-B barstock
Alloy-C barstock	Alloy-C barstock

For other materials, see type RC250 .

INNERVALVE MATERIALS

Size	Plug	Seat
V - J	316 SS	316 SS
V - J	Stellite®	416 SS
V - J	Stellite®	316 SS stellite
A - J	Tantalum	Tantalum
V - J	Monel	Monel
V - J	Alloy-20	Alloy-20
V - J	Alloy-B	Alloy-B
V - J	Alloy-C276	Alloy-C276
V - J	Additional Titanium nitride coating	

(*) Stellite® is a registered trademark of Deloro Stellite Holdings Corporation.

Other materials available on request. Up to now over 140 materials and materials combinations have been used.

(316 SS ~ 1.4571).

PRESSURE-TEMPERATURE RATING BODY

	°C	316 SS	Alloy-B	Alloy-C	Monel	Alloy20	length bonnet
1" CONTROL VALVE	20	100		-			STD
	100	100		-			
	200	17		-			
	300	17		-			CF
	400	-		-			EF
	500	-		-			
3/4" CONTROL VALVE	20	100		-			STD
	100	100		-			
	200	68		-			
	300	68		-			CF
	400	27		-			EF
	500	-		-			
1/2" CONTROL VALVE	20	100	82	82	82	82	STD
	100	100	68	68	68	68	
	200	82	41	41	41	41	
	300	68	16	16	-	16	CF
	400	55	-	-	-	-	EF
	500	-	-	-	-	-	
1/4" CONTROL VALVE	20	100	100	100	82	100	STD
	100	100	96	96	75	96	
	200	86	82	82	62	82	
	300	77	68	68	48	68	CF
	400	72	55	55	34	58	EF
	500	22	-	-	20	34	
max. pressure in bar							

STD = standard bonnet. Details about bonnet length CF and EF, see [Data Sheet CFG](#)

The above pressure ratings alone are not sufficient to determine if a valve is suitable for an application.

You can find help for selection of innervalue, material combinations, guiding, bonnet and actuator in the "instruction for valve selection" and the Data Sheets TRM, GDG, CFL resp. AC.