

Flanged control valve RC210 USA Type 860, 1499



Features

- Control valve in sizes 1", 3/4" and 1/2"
- Globe casted body with welded on flanges or cast housing
- Suitable for control of medium and low flow
- Many variations not listed here
- Flange connections

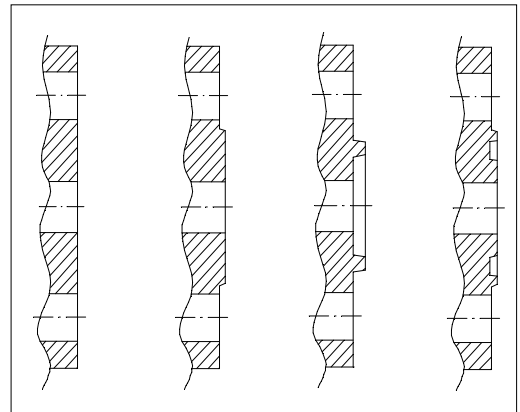
Pressure-temperature rating according DIN

°C	PN16	PN40	PN100	PN160	PN320
20	16	40	100	160	320
100	14	34	85	136	271
200	11	29	72	115	2229
300	10	25	64	102	203
400	9	24	60	195	191
500	8	22	54	87	174
Max. pressure in bar					

Pressure-temperature rating according ANSI

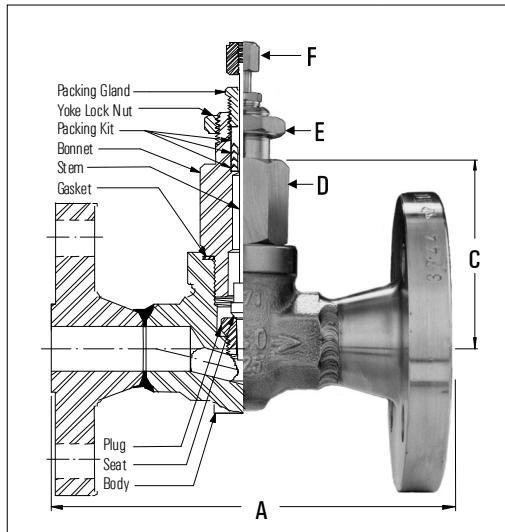
°C	150#	300#	600#	900#	2500#
20	19	50	99	149	340
100	16	42	84	127	320
200	14	36	71	107	269
300	10	32	63	95	242
400	7	29	59	89	226
500	3	27	54	82	190
Max. pressure in bar					

EN 1092-1			
Form A	Form B1, B2	Form C	Form D
DIN 2526	DIN 2526	DIN 2526	DIN 2522
Form A-B	Form C-E	Form F	Form N



EN 1092-1	DIN 2526	ANSI B16-5
Form A RA 12,5	Form B	RF (Raised Face) RFSF (Raised Face Smooth Finish)
Not applicable	Form C	FF (Flat Face) FFSF (Flat Face Smooth Finish)
Form B1 RA 3,2 bis PN40	Form D	
Form B2 RA 0,8 ab PN63	Form E	
Form C Tongue	Form F	T
Form D Groove	Form N	G, RTJ

Dimensions (mm)



	C	D	E	F
RC 1"	100	1-3/4"	1-1/8"	1/2"
RC 3/4"	99	1-1/2"	1-1/8"	1/2"
RC 1/2"	72	1-1/4"	1-1/8"	1/2"

	DN15	DN20	DN25	DN32	DN40	DIN 3202
PN16/ 40	130	150	160	180	200	
PN100/ 160	210	230	230	260	260	
PN320	230	260	260	300	300	

	1/2"	3/4"	1"	1 1/2"	2"	ANSI B16.10-1973
150#	108	184	184	222	254	
300#	152	194	197	235	267	
600#	165	206	210	251	286	
900#/1500#	216	229	254	305	368	
2500#	264	273	308	384	451	